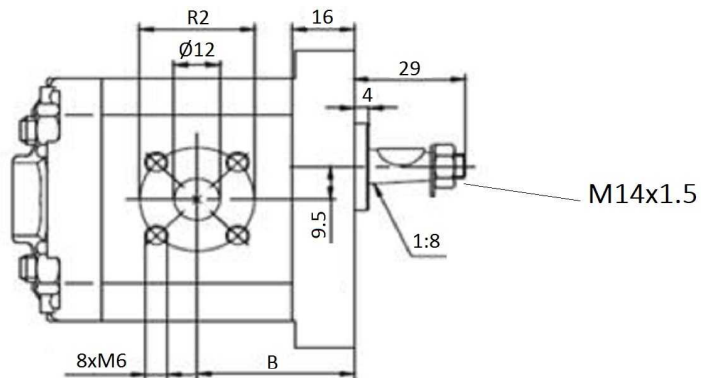
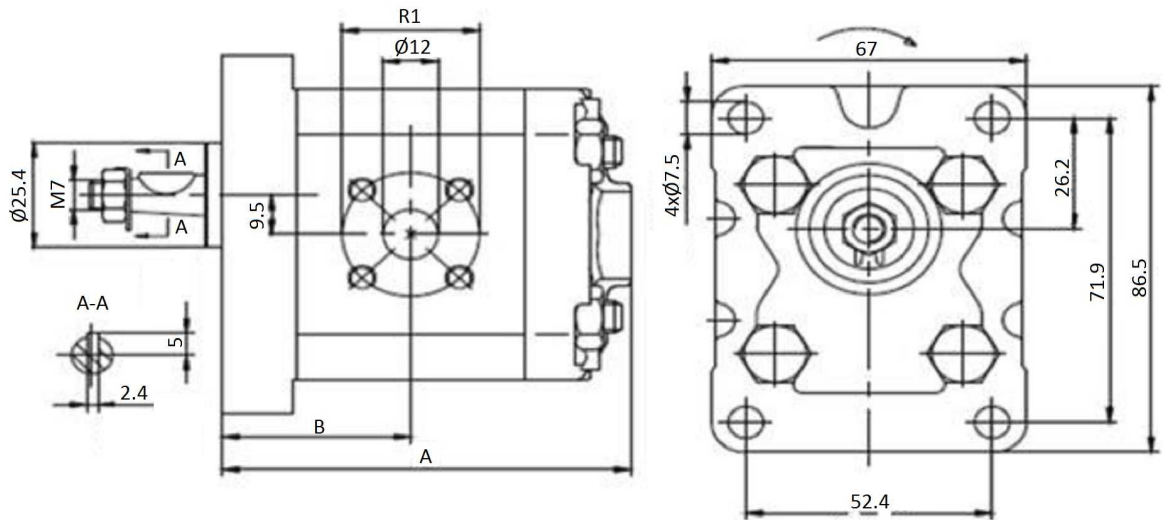


Gear pumps

Gear pumps Group I Right

## Gr.I Gear pump/ Eur.flange/tapered shaft 1:8 /side ports type German

Page: 1/2



**Rotation reference:** BTD...I=Rotation left  
BTD...D=Rotation right

Min 600 rpm

**Flange and cover:** Alluminum

| Part nº          | Ø ASPIRATION (mm) | Ø PRESSURE (mm) | Max. Press. (bar) | Max. Peak press. | R.P.M. | cm <sup>3</sup> / rev | A    | B    |
|------------------|-------------------|-----------------|-------------------|------------------|--------|-----------------------|------|------|
| <b>BTD107D03</b> | 30                | 30              | 250               | 300              | 6000   | 0,7                   | 74   | 32   |
| <b>BTD111D03</b> | 30                | 30              | 250               | 300              | 6000   | 1,1                   | 75   | 33   |
| <b>BTD116D03</b> | 30                | 30              | 250               | 300              | 6000   | 1,6                   | 78   | 35   |
| <b>BTD118D03</b> | 30                | 30              | 250               | 300              | 6000   | 1,8                   | 78,5 | 35,5 |
| <b>BTD127D03</b> | 30                | 30              | 250               | 300              | 6000   | 2,7                   | 81   | 37   |
| <b>BTD132D03</b> | 30                | 30              | 250               | 300              | 6000   | 3,2                   | 83   | 38   |
| <b>BTD137D03</b> | 30                | 30              | 250               | 300              | 5000   | 3,7                   | 85   | 39   |

Gear pumps

Gear pumps Group I Right

## Gr.I Gear pump/ Eur.flange/tapered shaft 1:8 /side ports type German

Page: 2/2

| Part n°          | Ø ASPIRATION (mm) | Ø PRESSURE (mm) | Max. Press. (bar) | Max. Peak press. | R.P.M. | cm <sup>3</sup> / rev | A   | B  |
|------------------|-------------------|-----------------|-------------------|------------------|--------|-----------------------|-----|----|
| <b>BTD148D03</b> | 30                | 30              | 200               | 250              | 4000   | 4,8                   | 89  | 41 |
| <b>BTD158D03</b> | 30                | 30              | 200               | 250              | 3500   | 5,8                   | 93  | 43 |
| <b>BTD163D03</b> | 30                | 30              | 200               | 250              | 2900   | 6,3                   | 95  | 44 |
| <b>BTD180D03</b> | 30                | 30              | 200               | 250              | 2100   | 8                     | 101 | 47 |

(\* ) R1 = inlet, R2 = outlet