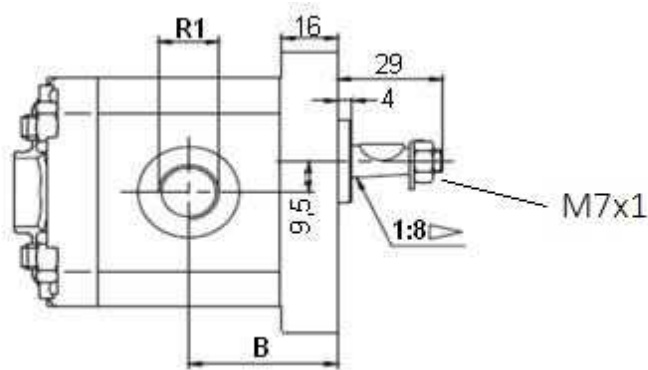
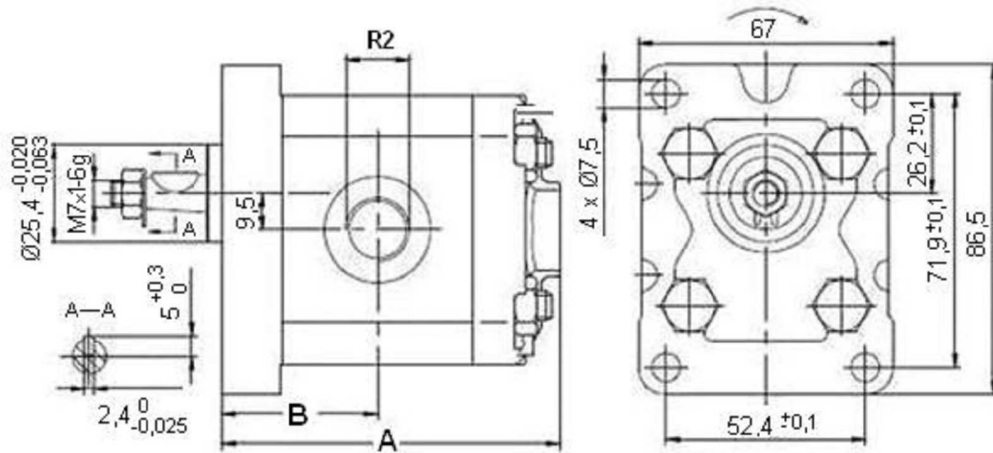


Gear pumps

Gear pumps Group I Right

Gr.I Gear pump/ Eur.flange/tapered shaft 1:8 /threaded side ports type

Page: 1/2



Rotation reference: BTD...I=Rotation left
BTD...D=Rotation right

Min 600 rpm

Flange and cover: Alluminum

Part n°	R1	R2	Max. Press. (bar)	Max. Peak press.	R.P.M.	cm ³ / rev	A	B
BTD111D01	3/8" BSP	3/8" BSP	250	300	6000	1,1	75	33
BTD116D01	3/8" BSP	3/8" BSP	250	300	6000	1,6	78	35
BTD118D01	3/8" BSP	3/8" BSP	250	300	6000	1,8	78,5	35,5
BTD127D01	3/8" BSP	3/8" BSP	250	300	6000	2,7	81	37
BTD132D01	3/8" BSP	3/8" BSP	250	300	5000	3,2	83	38
BTD137D01	3/8" BSP	3/8" BSP	250	300	4500	3,7	85	39
BTD148D01	3/8" BSP	3/8" BSP	200	250	4000	4,8	89	41

Gear pumps

Gear pumps Group I Right

Gr.I Gear pump/ Eur.flange/tapered shaft 1:8 /threaded side ports type

Page: 2/2

Part n°	R1	R2	Max. Press. (bar)	Max. Peak press.	R.P.M.	cm ³ / rev	A	B
BTD158D01	1/2" BSP	3/8" BSP	200	250	3500	5,8	93	43
BTD163D01	1/2" BSP	3/8" BSP	200	250	2900	6,3	97	45
BTD180D01	1/2" BSP	3/8" BSP	200	250	2100	8	101	47

*R.P.M.=Máx. speed
R1 = inlet, R2 = outlet